

## Splice Welding TelsoSplice



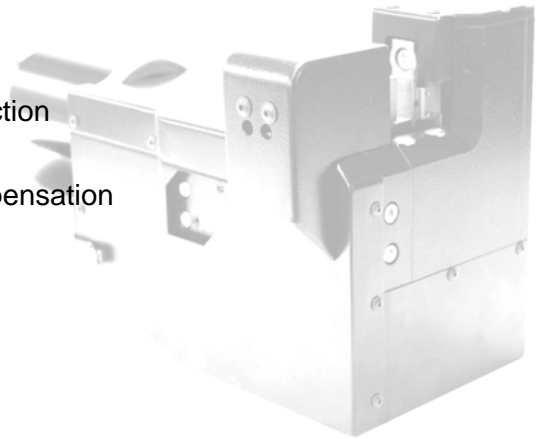
**Compact, Small And Powerful**  
**Made In Switzerland!**

# TelsoSplice

TelsoSplice is a new generation of wire splicing equipment. Thanks to its strong build, it is capable of splicing up to 40mm<sup>2</sup>. Because of the light weight and compact design it is ideal for use in a mobile work environment. The same module is used for the tabletop version as well as for the board-splicing unit and for the mobile splicing unit. This guarantees lower costs in ownership.

## Advantages:

- Small, light weight modules
- Equal modules in board splicing and tabletop versions
- Lower cost in storage and spare parts
- Cross sections from 0.2mm<sup>2</sup> to 40mm<sup>2</sup>
- Extremely stable and safe process
- Automatic calibration of the machine
- Simple, fast, secure tool changing
- High operation safety due to simple construction
- Easy operation and maintenance
- Innovative mounting system for weight compensation
- Networking with multiple machines



## Technical data:

- Generator 3000W up to 5000W
- Frequency 20 kHz
- Insert room 10mm x 19 mm
- Cross section up to 40 mm<sup>2</sup>

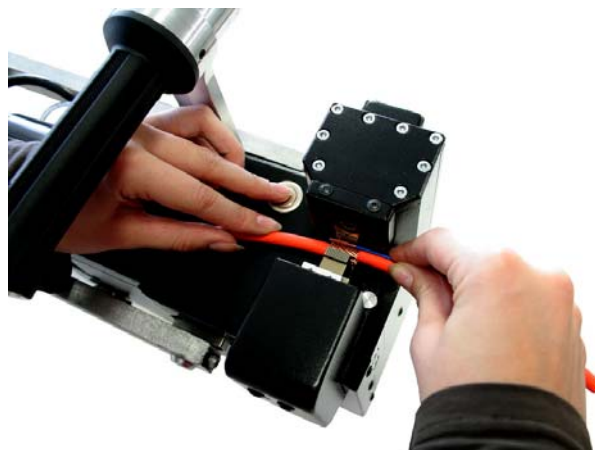
With TelsoSplice Telsonic continues to introduce new innovative ultrasonic components for the metal welding industry. The advantages for the end-users and machine builders are always at the forefront of our efforts.

## Interested?

Please contact us for further information:

[www.TELSONIC.com](http://www.TELSONIC.com)

Picture Gallery



**Compact, Small And Powerful**  
**Made In Switzerland!**